

AUSTAL WIND EXPRESS 21



GENERAL VESSEL DESCRIPTION

Vessel type	High Speed Wind Farm Support Vessel
Construction material	Aluminium
Hull form	Hard chine, "Z" bow catamaran

PRINCIPAL DIMENSIONS

Length overall	21.3 metres
Length waterline	18.4 metres
Beam moulded	7.3 metres
Hull depth moulded	3.5 metres
Draft (approx.)	1.4 metres

PAYLOAD AND CAPACITIES

Crew	3
Wind farm personnel	12
Deck cargo	5.0 tonnes
Deadweight (maximum)	12.5 tonnes
Fuel	6,000 litres

PROPULSION

Main engines	2 x MTU 10V 2000 M72 2 x 900 kW @ 2,250 rpm
Gearboxes	2 x ZF 3000
Propulsion	2 x Rolls Royce 45 A3 waterjets

PERFORMANCE

Service speed	28 knots at 90% MCR
Maximum speed	+30 knots at 100% MCR
Range	310 nm (with 20% reserve)

CLASSIFICATION/FLAG

Det Norske Veritas (DNV)
 ✕1A1 HSLC Windfarm Service 1 R2 (or similar)



YARD # 344, 345, 346 & 359
 DESTINATION: EUROPE
 FORYPD BAY, MALLTRAETH BAY, ABERFFRAW BAY & BEAUMARIS BAY

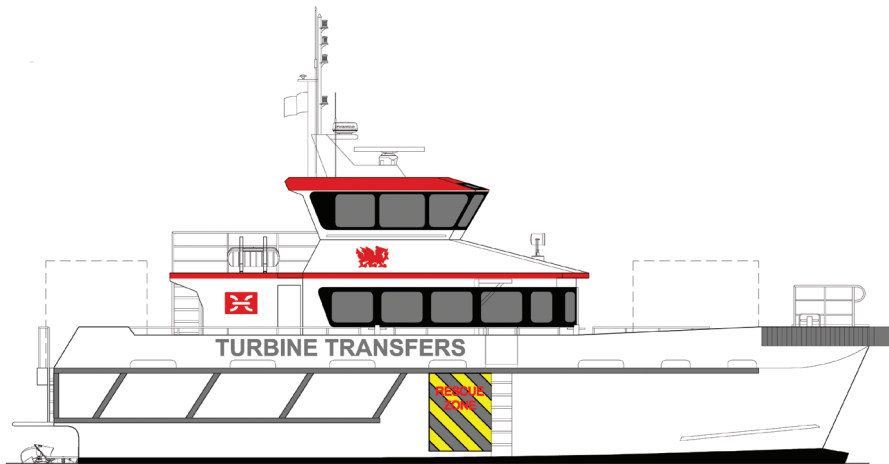
DELIVERY: MAY 2012

CLIENT: TURBINE TRANSFERS LTD

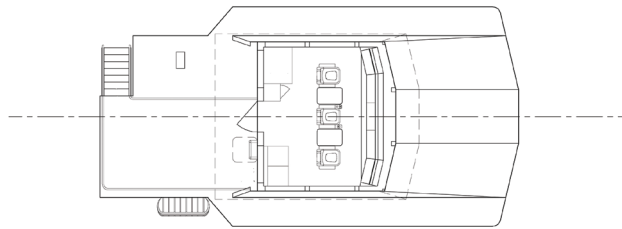
AUSTAL WIND EXPRESS 21

Vessel type: High Speed Wind Farm Support Vessel.

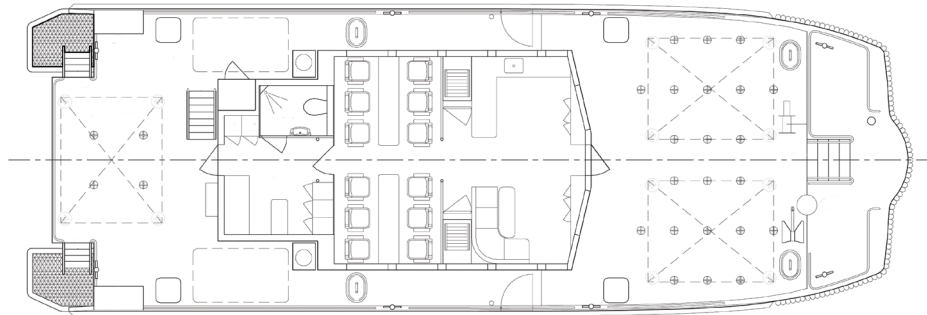
PROFILE



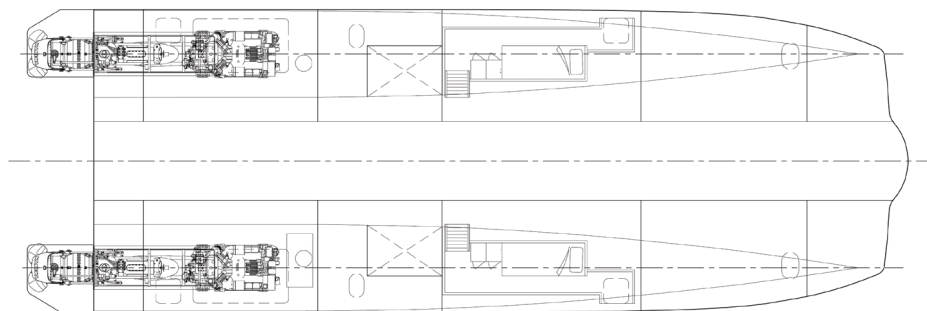
UPPER DECK



MAIN DECK



HULLS



YARD # 344, 345, 346 & 359
DESTINATION: EUROPE
FORRYD BAY, MALLTRAETH BAY, ABERFFRAW BAY & BEAUMARIS BAY

DELIVERY: MAY 2012

CLIENT: TURBINE TRANSFERS LTD

SHIPS • SYSTEMS • SUPPORT

WWW.AUSTAL.COM

