

AUSTAL FAST PATROL 30



YARD NO : 231 - 236

DESTINATION : TRINIDAD & TOBAGO

DELIVERY : 2010

CLIENT : TRINIDAD AND TOBAGO
COAST GUARD

GENERAL VESSEL DESCRIPTION

Vessel type	Fast Patrol Craft
Material	Aluminium alloy
Hull form	Monohull
Deadweight (max)	16 tonnes

PRINCIPAL DIMENSIONS

Length overall	30.0 metres
Length (waterline)	24.6 metres
Beam (moulded)	6.4 metres
Depth (moulded)	3.2 metres
Draft (approx.)	1.5 metres

PERSONNEL

Crew	11
------	----

PERFORMANCE

Range at 10 knots	> 1000nm
Speed	40 knots

PROPULSION

Main engines	2 x MTU 16V 2000 M92 2 x 1630kW @ 2450rpm
Propulsion	2 x Kamewa SIII waterjets

WEAPONS AND SENSORS

Standard	2 x 0.50 calibre general purpose machine gun mounts 1 x 20mm cannon
----------	--

SURVEY

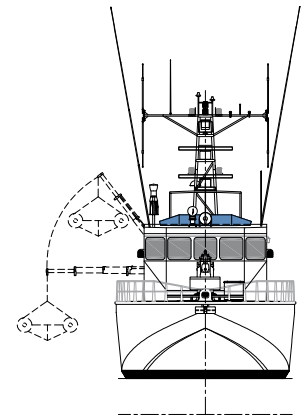
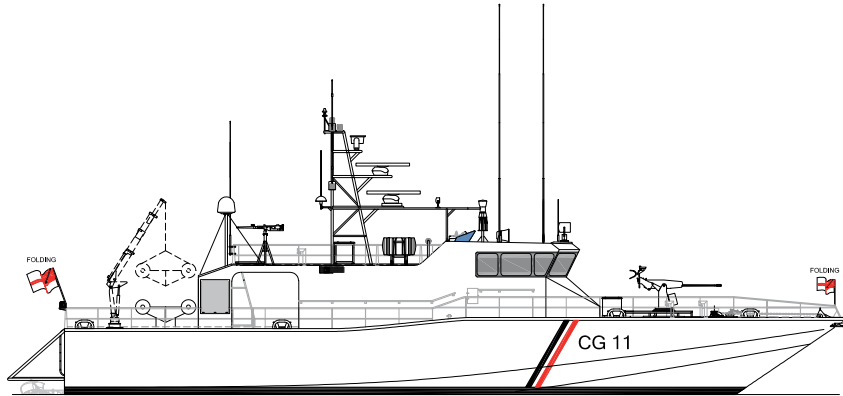
Det Norske Veritas (DNV) +1A1 HSLC R3 Patrol EO



AUSTAL FAST PATROL 30

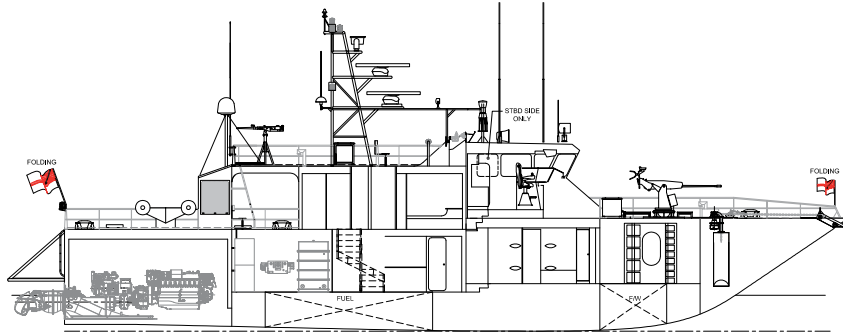
Vessel type: 30m Fast Patrol Craft

PROFILE

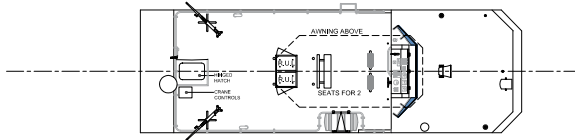


FRONT VIEW

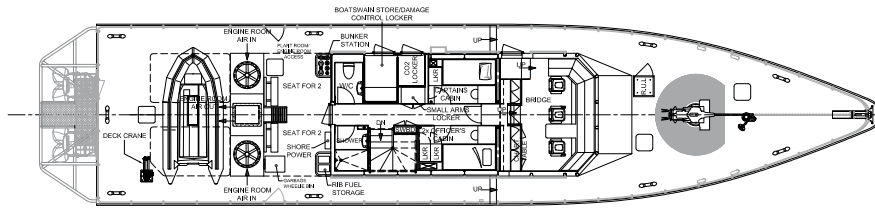
SECTION



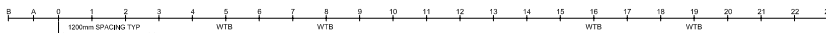
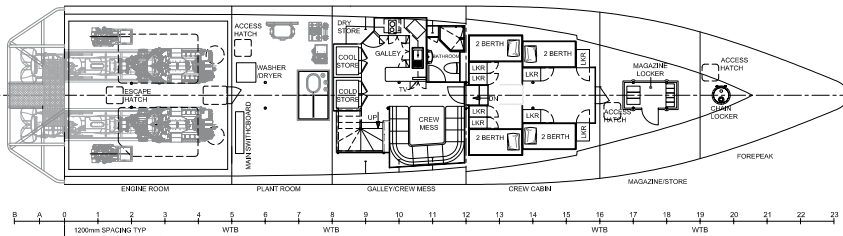
OPEN BRIDGE



MAIN DECK



LOWER DECK



YARD NO : 231 - 236

DESTINATION: TRINIDAD & TOBAGO

DELIVERY: 2010

CLIENT: TRINIDAD AND TOBAGO
COAST GUARD

SHIPS • SYSTEMS • SUPPORT

WWW.AUSTAL.COM

